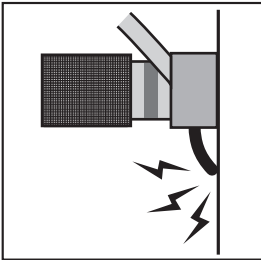


Cautions on connecting the speaker cords

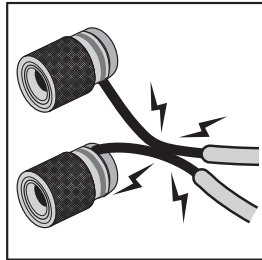
If the speaker cords get short-circuited, this unit's power may turn off and this unit may be damaged. To prevent this, be sure to heed the cautions below.

When connecting the speakers, make sure that the exposed wire of each speaker cord does not touch anything other than the correct speaker terminal.

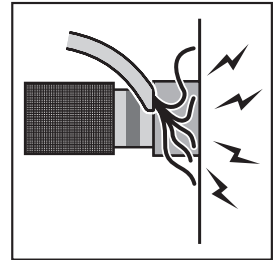
✗ No Good!



Make sure the cords' exposed wires are not inserted too far so that they extend beyond the speaker terminals and touch metal parts of the main unit (the rear panel, screws, etc.).

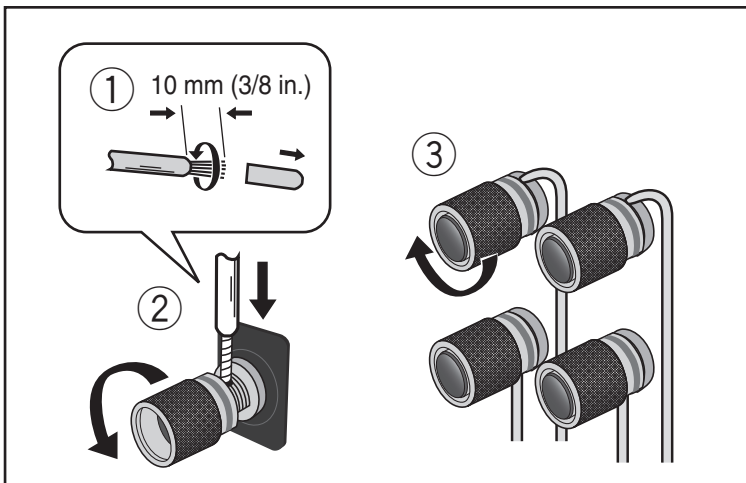


Make sure that exposed speaker wire does not extend outside the speaker terminal and touch any other wire.



Make sure that exposed speaker wire does not touch the rear panel, screws, etc.

○ OK!



- ① Remove about 10 mm (3/8 in.) of the plastic insulation and twist together the exposed speaker wire.
- ② Loosen the speaker terminal and insert the speaker cord, making sure that no exposed speaker wire extends outside the terminal.
- ③ Tighten the speaker terminal to secure the speaker cord.

Check that all the speaker cords are properly connected at both the amplifier and the speaker ends.