

English

Thank you for buying this PIONEER product. Please read through these operating instructions so you will know how to operate your model properly. After you have finished reading the instructions, put them away in a safe place for future reference. In some countries or regions, the shape of the power plug and power outlet may sometimes differ from that shown in the explanatory drawings. However, the method of connecting and operating the unit is the same.

IMPORTANT

CAUTION
RISK OF ELECTRIC SHOCK
DO NOT OPEN

CAUTION:
TO PREVENT THE RISK OF ELECTRIC SHOCK, DO NOT REMOVE COVER (OR BACK). NO USER-SERVICEABLE PARTS INSIDE. REFER SERVICING TO QUALIFIED SERVICE PERSONNEL.

The lightning flash with arrowhead symbol, within an equilateral triangle, is intended to alert the user to the presence of uninsulated "dangerous voltage" within the product's enclosure that may be of sufficient magnitude to constitute a risk of electric shock to persons.

The exclamation point within an equilateral triangle is intended to alert the user to the presence of important operating and maintenance (servicing) instructions in the literature accompanying the appliance.

WARNING
Before plugging in for the first time, read the following section carefully.
The voltage of the available power supply differs according to country or region. Be sure that the power supply voltage of the area where this unit will be used meets the required voltage (e.g., 230 V or 120 V) written on the rear panel.

VENTILATION CAUTION
When installing this unit, make sure to leave space around the unit for ventilation to improve heat radiation (at least 25 cm at top, 15 cm at rear, and 10 cm at each side).
WARNING
Slots and openings in the cabinet are provided for ventilation to ensure reliable operation of the product, and to protect it from overheating. To prevent fire hazard, the openings should never be blocked or covered with items (such as newspapers, table-cloths, curtains) or by operating the equipment on thick carpet or a bed.

WARNING:
Do not climb or sit on this unit. Be especially careful when children are around. The unit may be damaged, or may fall over causing injury.

Operating Environment
Operating environment temperature and humidity: +5 °C to +35 °C (+41 °F to +95 °F); less than 85 %RH (cooling vents not blocked)
Do not install this unit in a poorly ventilated area, or in locations exposed to high humidity or direct sunlight (or strong artificial light)

POWER-CORD CAUTION
Handle the power cord by the plug. Do not pull out the plug by tugging the cord and never touch the power cord when your hands are wet as this could cause a short circuit or electric shock. Do not place the unit, a piece of furniture, etc., on the power cord, or pinch the cord. Never make a knot in the cord or tie it with other cords. The power cords should be routed such that they are not likely to be stepped on. A damaged power cord can cause a fire or give you an electrical shock. Check the power cord once in a while. When you find it damaged, ask your nearest PIONEER authorized service center or your dealer for a replacement.

WARNING
This equipment is not waterproof. To prevent a fire or shock hazard, do not place any container filled with liquid near this equipment (such as a vase or flower pot) or expose it to dripping, splashing, rain or moisture.

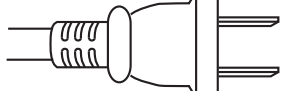
If the AC plug of this unit does not match the AC outlet you want to use, the plug must be removed and appropriate one fitted. Replacement and mounting of an AC plug on the power supply cord of this unit should be performed only by qualified service personnel. If connected to an AC outlet, the cut-off plug can cause severe electrical shock. Make sure it is properly disposed of after removal. The equipment should be disconnected by removing the mains plug from the wall socket when left unused for a long period of time (for example, when on vacation).

CAUTION
The POWER switch on this unit will not completely shut off all power from the AC outlet. Since the power cord serves as the main disconnect device for the unit, you will need to unplug it from the AC outlet to shut down all power. Therefore, make sure the unit has been installed so that the power cord can be easily unplugged from the AC outlet in case of an accident. To avoid fire hazard, the power cord should also be unplugged from the AC outlet when left unused for a long period of time (for example, when on vacation).

This product is for general household purposes. Any failure due to use for other than household purposes (such as long-term use for business purposes in a restaurant or use in a car or ship) and which requires repair will be charged for even during the warranty period.

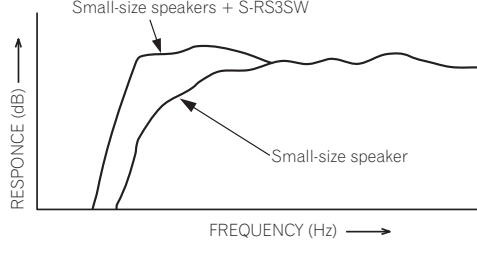
WARNING
To prevent a fire hazard, do not place any naked flame sources (such as a lighted candle) on the equipment.

For Taiwan and Mexico exclusively
Taiwanese two pin flat-bladed plug



IN COMBINATION WITH SPEAKERS

The frequency characteristics of the S-RS3SW combined with small-size speakers are shown below. As shown in these figures, the low frequency range is improved.
• These special characteristics are obtained in an echoless chamber. The effect of an additional S-RS3SW in an ordinary listening room is better than the chart indicates when positioned adequately.

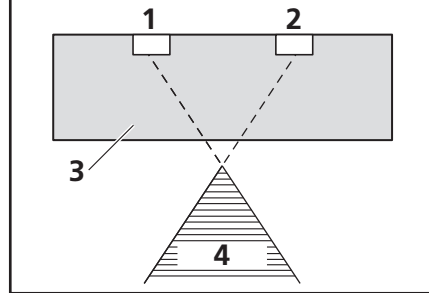


• With playback of Dolby Digital, establishment of a special channel for the subwoofer is recommended; and with playback of LFE (Low Frequency Effect: sound effect like the rumbling of the earth, whose purpose is to intensify the force of the video), the S-RS3SW is especially effective.

INSTALLATION

Speaker Installation

• Subwoofer Installation Criteria



- 1 Left speaker
- 2 Right speaker
- 3 Recommended installation range for the subwoofer
- 4 Listening position

• The rear (surround) speakers are most effective when installed in parallel locations directly to the side, or slightly behind, the listener, at a level about 1 meter above the listener's ears.

CAUTION:
When installing the center speaker on top of the TV, be sure to secure it with tape or some other suitable means. Otherwise, the speaker may fall from the TV due to external shocks such as earthquakes, and it may lead to endangering those nearby or damaging the speaker.

Installation Precautions

- Do not attach the subwoofer to the wall or ceiling. They may fall off and cause injury.
- Install the unit in a well-ventilated location where it will not be exposed to high temperatures and high humidity.
- Do not place the unit near stoves or other heating equipment or at locations exposed to direct sunlight, as these can have an adverse effect on the cabinet and internal components. Also, do not install the unit where there is too much dust or high humidity, as these can cause malfunctioning or breakdowns. (Avoid cooking tables and other locations where the unit would be exposed to heat, steam and soot.)
- Do not place heavy or large objects on top of the speaker. Doing so could provoke the speaker to fall, causing damages or bodily injury. If speakers fall from their installation locations, they may suffer irreparable cracks in their finish.
- Keep the unit away from devices such as cassette decks which are sensitive to magnetic fields.

The subwoofer is not magnetically shielded and so should not be placed near a TV or monitor. Magnetic storage media (such as floppy discs and tape or video cassettes) should also not be kept close to the subwoofer.

- Do not place the speaker on an unstable surface, as doing so may cause the speaker to fall and cause damage or bodily injury.
- Do not place cups, glasses, or other containers with fluids on top of the units, since the units may be damaged if the liquid spills.
- The installation location selected should have a sturdy floor surface. Mounting the speaker on a long-pile carpet should be avoided, since the carpet may touch the driver's diaphragm, causing distorted sound.
- Please install this unit away from the antenna cable of the tuner, as noise can be caused with installation close to the antenna cable. In such a case, use this unit at a position away from the antenna and the antenna cable, or when playback of extra bass is not required, switch off the power for this unit.

MAINTENANCE OF EXTERNAL SURFACES:

- Clean the surface by wiping with a soft, dry cloth.
- When the surfaces are very dirty, wipe with a soft cloth dipped in some neutral cleanser diluted five or six times with water, and wrung out well, and then wipe again with a dry cloth. Do not use furniture wax or cleaners.
- Never use thinners, benzine, insecticide sprays and other chemicals on or near this unit, since these will corrode the surfaces.

ACCESSORY ITEMS

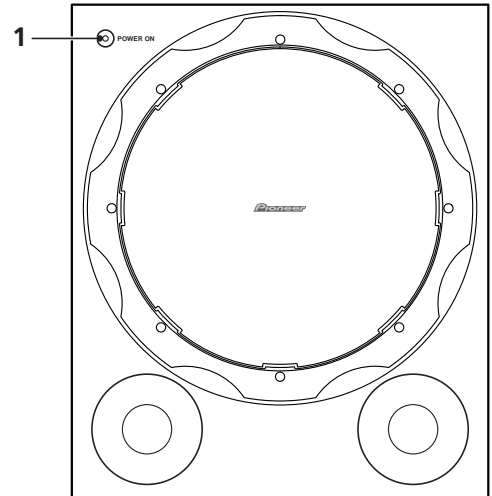
- Power cable
Taiwan, Mexico, Middle Latin America models x 2
All other models x 1
- RCA plug cord x 1
- Operating instructions

FEATURES

- n 150 W (Taiwan model)/180 W (all other models) (RMS) power with AB class amplifier that serves audio and video software playback such as Dolby Digital with a wide dynamic range.
- n Equipped with 30 cm driver
- n Crossover frequency can be set to 50 Hz to 200 Hz.

PANEL FACILITIES

FRONT PANEL



6 Phase switch (PHASE 0° / 180°)
When set to **180°**, the output phase becomes the reverse of the input signal, and when set to **0°**, it is in the same phase as the input signal.

- Normally, the switch is set to **0°**.
But when the sound connection between the subwoofer and the left and right speakers sounds unnatural, try switching to **180°** and set the switch in the position where the sound is natural.
- When using two or more subwoofers together, make sure that the phase switch of all of them are set to the same position.

7 Line Level Input terminal (LINE LEVEL INPUT)
Connect to the SUBWOOFER PREOUT terminal of an amplifier or receiver, with the specially provided RCA plug cord.

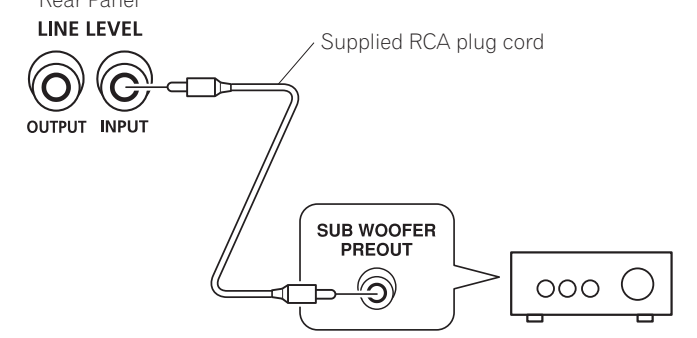
8 Line Level Output terminal (LINE LEVEL OUTPUT)
Used for connecting other equipment through the amplifier. The signal output from this jack is not affected in any way by the settings of the various controls on the unit.

- 9 AC IN**
- Connect the power cord to the powered subwoofer unit's AC IN.
 - Connect the power cord to a AC socket.

CONNECTIONS

Before making or changing any connections, switch off the power and disconnect both this unit and the amplifier/receiver from the AC outlet.

LINE LEVEL CONNECTION



This connection is for an amplifier or receiver equipped with a SUBWOOFER PREOUT terminal. Connect to the LINE LEVEL INPUT terminal on this unit, using the specially provided RCA plug cord.

NOTE:

- When connected to the PREOUT terminal for surround center channel on the amplifier or receiver, the bass is heard only on the center channel, so it will be insufficient.

OPERATION

For details regarding operating part functions, refer to PANEL FACILITIES above.

- 1. Turn the POWER switch (2) ON.**
 - If the unit's power cord is connected to a switched AC outlet on the amplifier or receiver and the switch is left ON, the unit can be turned ON/OFF together with the amplifier or receiver.
 - If the unit cannot be connected to the amplifier or receiver, turn the power to the amplifier or receiver ON before turning the power to the unit ON. When turning the power OFF, turn the power to the unit OFF before turning the power to the amplifier or receiver OFF.
- 2. Operate the amplifier or receiver and adjust the volume of the other speakers.**
- 3. Adjust the volume of the bass with the VOLUME knob (3).**
 - When necessary, operate the CROSSOVER knob (4) and PHASE switch (6), and then adjust with the VOLUME knob (3).
- 4. Turn the POWER switch (2) OFF.**
 - The power indicator disappears.

TROUBLESHOOTING

Incorrect operations are often mistaken for trouble and malfunctions. If you think that there is something wrong with this component, check the points below. Sometimes the trouble may lie in another component. Investigate the other components and electrical appliances being used. If the trouble cannot be rectified even after exercising the checks listed below, ask your nearest PIONEER authorized service center or your dealer to carry out repair work.

SYMPTOM	CAUSE	REMEDY
1 No power is being supplied (Indicator does not light up when power switch is turned on.)	• Power supply plug is not correctly inserted.	• Insert plug securely.
2 No sound (Indicator is lit.)	• Connection of accessory RCA plug cord is wrong or disconnected. • VOLUME knob is set to MIN .	• Check again and connect correctly. • Turn clockwise slowly.
3 Sound is distorted.	• Level is too high. • Input level is too high.	• Turn the VOLUME knob counter-clockwise to lower the level. • Turn the amplifier's output level (volume, bass control, bass boost) counter-clockwise to lower the level.
4 Howling noise occurs.	• No power supplied to the amplifier. • Subwoofer level is set too high.	• Connect an amplifier and supply power. • Place the subwoofer a good distance from speakers. Turn the VOLUME knob counter-clockwise to lower the volume.
5 Much noise when listening to AM or FM broadcasts.	• The AM loop antenna or the FM indoor antenna is close to this unit.	• Increase the distance between the AM or FM antenna (for indoor use) and this unit.

SPECIFICATIONS

CabinetBass-reflex, floor-standing type
Speaker30 cm cone type
Power Amplifier Continuous Power Output (RMS)
Taiwan150 W/6 Ω (100 Hz)
All other models.....200 W/6 Ω (100 Hz)
Input (sensitivity at 100 Hz/impedance)
LINE LEVEL (RCA jack)175 mV/50 kΩ
Output (Level at 100 Hz/impedance)
LINE LEVEL (RCA jack)175 mV/1 kΩ
Selectable CROSSOVER Frequencies50 Hz to 200 Hz
Outline Dimension360 mm (W) x 437 mm (H) x 455 mm (D)
Weight (without package).....15.2 kg
Power Requirements
Taiwan, Mexico, Middle Latin America models
.....110 V to 127 V~, 50 Hz/60 Hz
All other models.....220 V to 240 V~, 50 Hz/60 Hz
Power Consumption
Taiwan, Mexico, Middle Latin America models155 W
All other models.....184 W

Accessories
Power cable: Taiwan, Mexico, Middle Latin America models x 2
All other modelsx 1
RCA plug cord.....x 1
Operating instructions

Specifications and design subject to possible modification without notice, due to improvements.


Gracias por la adquisición de este producto PIONEER. Para saber cómo utilizar correctamente su modelo, lea cuidadosamente este manual de instrucciones. Después de haber finalizado su lectura, guárdelo en un lugar seguro para futuras referencias. En algunos países o regiones, la forma de la clavija de alimentación y de la toma de corriente pueden ser diferentes a la indicada en las ilustraciones explicatorias, sin embargo el método de conexión y operación de la unidad es idéntico.

IMPORTANTE

 La luz intermitente con el símbolo de punta de flecha dentro un triángulo equilátero. Está convenido para avisar el usuario de la presencia de "voltaje peligroso" no aislada dentro el producto que podría constituir un peligro de choque eléctrico para las personas.

CAUTION
RISK OF ELECTRIC SHOCK
DO NOT OPEN

ATENCIÓN:
PARA PREVENIR EL PELIGRO DE CHOQUE ELÉCTRICO NO REMOVER LA TAPA NI LAS PARTES DENTRO NO UTILIZADAS. LLAMAR UNA PERSONA CUALIFICADA.

 El punto exclamativo dentro un triángulo equilátero convenido para avisar el usuario de la presencia de importantes instrucciones sobre el funcionamiento y la manipulación en la libreta que acompaña el aparato.

D3-4-2-1-1_A.5p

ADVERTENCIA

Antes de enchufar el aparato a la corriente, lea la sección siguiente con mucha atención.

La tensión de la red eléctrica es distinta según el país o región. Asegúrese de que la tensión de la alimentación de la localidad donde se proponga utilizar este aparato corresponda a la tensión necesaria (es decir, 230 V ó 120 V) indicada en el panel posterior.

D3-4-2-1-4_A.5p

PRECAUCIÓN PARA LA VENTILACIÓN

Cuando instale este aparato, asegúrese de dejar espacio en torno al mismo para la ventilación con el fin de mejorar la disipación de calor (por lo menos 25 cm encima, 15 cm detrás, y 10 cm en cada lado).

Las ranuras y aberturas de la caja del aparato sirven para su ventilación para poder asegurar un funcionamiento fiable del aparato y para protegerlo contra sobrecalentamiento. Para evitar el peligro de incendio, las aberturas nunca deberán taparse ni cubrirse con nada (como por ejemplo, periódicos, manteles, cortinas) ni ponerse en funcionamiento el aparato sobre una alfombra gruesas o una cama.

D3-4-2-1-7b_A.5p

ADVERTENCIA

No se suba ni se sienta sobre esta unidad. Tenga cuidado especialmente cuando haya niños en el lugar. La unidad podría sufrir daños o podría caerse y ocasionar heridas.

ADVERTENCIA

Para evitar el peligro de incendio, no ponga nada con fuego encendido (como pueda ser una vela) encima del aparato.

D3-4-2-1-7a_A.5p

Entorno de funcionamiento

Temperatura y humedad del entorno de funcionamiento +5 °C a +35 °C ; menos del 85 % de humedad relativa (rejillas de refrigeración no obstruidas)

No instale este aparato en un lugar mal ventilado, ni en lugares expuestos a alta humedad o a la luz directa del sol (o de otra luz artificial potente).

D3-4-2-1-7c_A.5p

PRECAUCIONES CONCERNIENTES A LA MANIPULACIÓN DEL CABLE DE ALIMENTACIÓN

Turne el cable de alimentación por la clavija. No extraiga la clavija tirando del cable. Nunca toque el cable de alimentación cuando sus manos estén mojadas, ya que esto podría causar cortocircuitos o descargas eléctricas. No coloque la unidad, algún mueble, etc., sobre el cable de alimentación. Asegúrese de no hacer nudos en el cable ni de unirlo a otros cables. Los cables de alimentación deberán ser dispuestos de tal forma que la probabilidad de que sean pisados sea mínima. Una cable de alimentación dañado podrá causar incendios o descargas eléctricas. Revise el cable de alimentación está dañado, solicite el reemplazo del mismo al centro de servicio autorizado PIONEER más cercano, o a su distribuidor.

5002*_5p

ADVERTENCIA

Este aparato no es impermeable. Para evitar el riesgo de incendio y de descargas eléctricas, no ponga ningún recipiente lleno de líquido (como pueda ser un vaso o un florero) cerca del aparato ni lo exponga a goteo, salpicaduras, lluvia o humedad.

D3-4-2-1-3_A.5p

Si la clavija del cable de alimentación de CA de este aparato no se adapta a la toma de corriente de CA que usted desea utilizar, deberá cambiar la clavija por otra que se adapte apropiadamente. El reemplazo y montaje de una clavija del cable de alimentación de CA sólo deberá realizarlos personal de servicio técnico cualificado. Si se enchufa la clavija cortada a una toma de corriente de CA, puede causar fuertes descargas eléctricas. Asegúrese de que se tira de la forma apropiada después de haberla extraído.

El aparato deberá desconectarse desenchufando la clavija de la alimentación de la toma de corriente cuando no se proponga utilizarlo durante mucho tiempo (por ejemplo, antes de irse de vacaciones).

D3-4-2-2-1a_A.5p

PRECAUCIÓN

El interruptor de la alimentación POWER de este aparato no corta por completo toda la alimentación de la toma de corriente de CA. Puesto que el cable de alimentación hace las funciones de dispositivo de desconexión de la corriente para el aparato, para desconectar toda la alimentación del aparato deberá desenchufar el cable de la toma de corriente de CA. Por lo tanto, asegúrese de instalar el aparato de modo que el cable de alimentación pueda desenchufarse con facilidad de la toma de corriente de CA en caso de un accidente. Para evitar correr el peligro de incendio, el cable de alimentación también deberá desenchufarse de la toma de corriente de CA cuando no se tenga la intención de utilizarlo durante mucho tiempo seguido (por ejemplo, antes de irse de vacaciones).

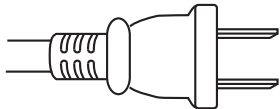
D3-4-2-2-2a_A.5p

Este producto es para tareas domésticas generales. Cualquiera avería debida a otra utilización que tareas domésticas (tales como el uso a largo plazo para motivos de negocios en un restaurante o el uso en un coche o un barco) que necesita una reparación hará que cobrará incluso durante el período de garantía.

K041_5p

Exclusivamente para Taiwán y México

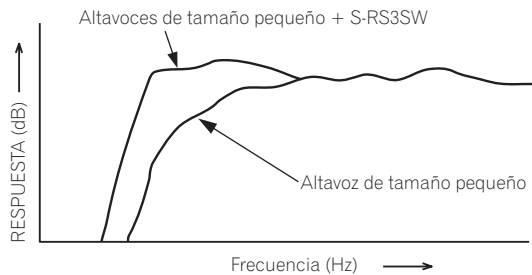
Clavija de dos cuchillas planas de Taiwán



EN COMBINACIÓN CON ALTAVOCES

A continuación se muestran las características de frecuencia del S-RS3SW combinado con altavoces de tamaño pequeño. Como se muestra en estas figuras, la gama de frecuencias bajas es mejorada.

- Estas características especiales se obtienen en una cámara sin eco. El efecto de un S-RS3SW en una sala de audición normal es mayor que la que indica la gráfica cuando se ubica adecuadamente.

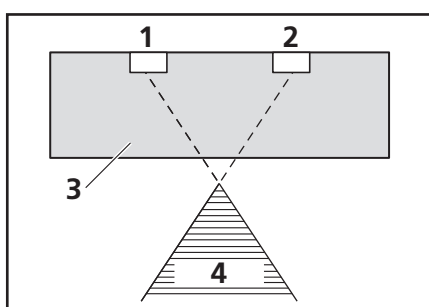


- Con la reproducción de Dolby Digital, se recomienda el establecimiento de un canal especial para el altavoz de subgraves, y con la reproducción de LFE (efecto de bajas frecuencias: efecto de sonido similar al retumbar de la tierra, cuyo propósito es el de intensificar la fuerza del vídeo), el S-RS3SW es especialmente efectivo.

INSTALACIÓN

Insalación de altavoz

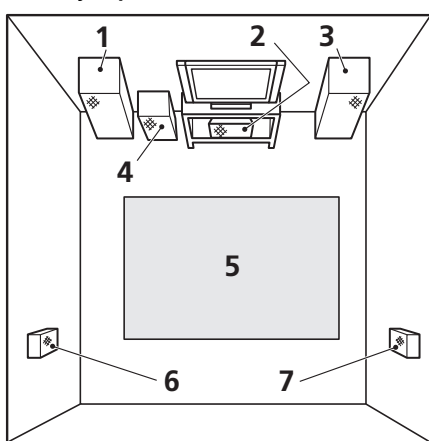
- Criterio de instalación del altavoz de subgraves



- Altavoz izquierdo
- Altavoz derecho
- Espacio recomendado para la instalación del altavoz de subgraves
- Posición de audición

El altavoz de subgraves reproduce los graves con sonido monofónico, empleando el hecho de que el oído humano no es muy sensible a la dirección de los sonidos de tono bajo. Por este motivo, el altavoz de subgraves puede instalarse casi en cualquier lugar. Sin embargo, si se instala demasiado alejado, el sonido de los otros altavoces puede perder naturalidad.

- Un ejemplo de ubicación de los altavoces



- Altavoz izquierdo delantero
- Altavoz central
- Altavoz derecho delantero
- Altavoz de subgraves
- Area de audición
- Altavoz izquierdo trasero
- Altavoz derecho trasero

NOTAS:

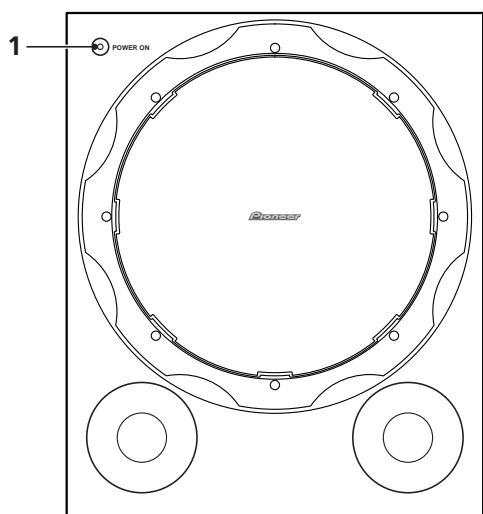
- Ubique los altavoces de los canales izquierdo y derecho equidistantes del televisor, y aproximadamente a 1,8 metros entre sí.
- Instale el altavoz central encima o debajo del televisor, de forma que el sonido del canal central quede ubicado a la altura de la pantalla.

ACCESORIOS INCLUIDOS

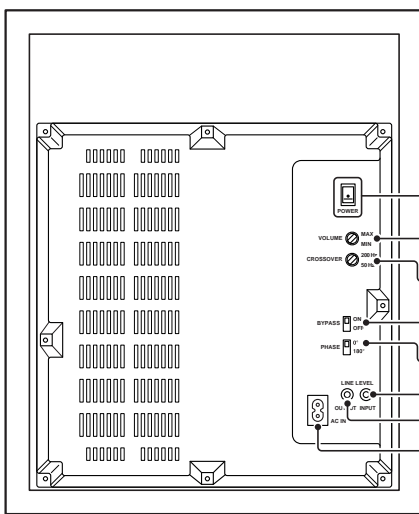
- Cable de alimentación Taiwán, México, Latinoamérica central x 2 Todos los otros modelos x 1
- Cable de clavija RCA x 1
- Manual de instrucciones

ELEMENTOS DEL PANEL

PANEL DELANTERO



PANEL TRASERO



1 Indicador de la alimentación (POWER ON)

Se enciende en verde cuando se conecta la alimentación.

NOTA:

- Si se propone desconectar la alimentación de la unidad durante periodos largos de tiempo, verifique que se haya apagado la luz del indicador después de desconectar la alimentación.

2 Interruptor de alimentación (POWER)

Para conectar y desconectar la alimentación del altavoz de subgraves.

3 Perilla de volumen (VOLUME)

Ajusta el volumen del altavoz de subgraves.

- Gire la perilla lentamente desde la posición MIN.
- Con esta unidad, podrá ajustar independientemente el nivel de los graves para no tener que incrementar los graves en el amplificador audiovisual.

4 Perilla de cruce (CROSSOVER)

Cuando emplee el altavoz de subgraves, ajuste el límite de frecuencia superior para el altavoz de subgraves (50 Hz a 200 Hz) de modo que complemente la salida de los otros altavoces.

Cuando emplee las características de gestión de graves de un receptor audiovisual, ajústelo en **BYPASS ON** para emplear el filtro de paso bajo del receptor audiovisual y obtener sonido de alta calidad.

5 Interruptor de paso directo (BYPASS)

Cuando se ajusta en **ON**, la señal de audio pasa directamente a la unidad del altavoz de graves, pasando por alto el filtro del amplificador.

6 Interruptor de fase (PHASE 0° /180°)

Cuando se ajusta a **180°**, la fase de salida pasa a ser la inversa que la de la señal de entrada, y cuando se ajusta a **0°**, está en la misma fase que la señal de entrada.

- Normalmente, el interruptor se ajusta a **0°**. Pero cuando la conexión de sonido entre el altavoz de subgraves y los sonidos de los altavoces derecho e izquierdo no son naturales, trate de cambiar a **180°**, y ajuste el interruptor en la posición en donde el sonido sea natural.
- Cuando se emplean dos o más altavoces de subgraves al mismo tiempo, asegúrese de que el selector de fase de todos ellos esté ajustado en la misma posición.

7 Terminal de entrada de nivel de línea (LINE LEVEL INPUT)

Conéctelo al terminal de salida de preamplificador de altavoz de subgraves (SUBWOOFER PREOUT) de un amplificador o receptor, con el cable con clavija RCA especialmente suministrado.

8 Terminal de salida de nivel de línea (LINE LEVEL OUTPUT)

Utilizado para contactar otros equipos a través del amplificador. La salida de la señal desde esta toma no se ve afectada de ningún modo por los ajustes de los distintos controles del aparato.

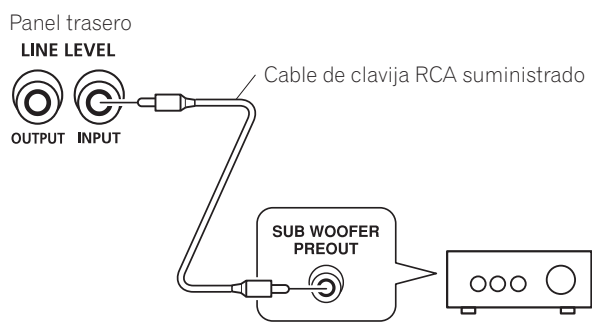
9 Entrada de CA (AC IN)

- Conecte el cable de alimentación a la entrada AC IN de la unidad de altavoz de subgraves alimentada.
- Conecte el cable de alimentación a una toma de corriente de CA.

CONEXIONES

Antes de realizar o cambiar cualquier conexión, desconecte la alimentación y desenchufe esta unidad y el amplificador/receptor de la toma de corriente de CA.

CONEXIÓN DEL NIVEL DE LÍNEA



Esta conexión es para un amplificador o receptor provisto de un terminal **SUBWOOFER PREOUT**. Conecte al terminal **LINE LEVEL INPUT** de esta unidad, usando el cable de clavija RCA provisto especialmente.

NOTA:

- Cuando se conecta al terminal **PREOUT** para el canal central de sonido Surround del amplificador o receptor, los graves sólo se oirán por el canal central, por lo que serán insuficientes.

OPERACIÓN

Para los detalles respecto a la operación de las funciones de las partes, refiérase al apartado **ELEMENTOS DEL PANEL** anterior.

1. Conecte la alimentación poniendo el interruptor POWER (2) en ON.

- Si se conecta el cable de alimentación de la unidad a una toma de CA activa del amplificador o receptor y se deja el interruptor en la posición ON, la unidad podrá conectarse/desconectarse al mismo tiempo que el amplificador o receptor.
- Si la unidad no puede conectarse al amplificador o receptor, conecte la alimentación del amplificador o receptor antes de conectar la alimentación de la unidad. Para desconectar la alimentación desconecte la alimentación de la unidad antes de desconectar la alimentación del amplificador o receptor.

2. Opere el amplificador o receptor y ajuste el volumen de los otros altavoces.

3. Ajuste el volumen de los graves con la perilla VOLUME (3).

- Cuando sea necesario, opere la perilla **CROSSOVER (4)** e interruptor **PHASE (6)**, y luego ajuste con la perilla **VOLUME (3)**.

4. Desconecte la alimentación poniendo el interruptor POWER (2) en OFF.

- Desaparecerá el indicador de la alimentación.

- Los altavoces traseros (envolvente) son más efectivos cuando se instalan en ubicaciones paralelas directamente al lado, o ligeramente detrás del oyente, en un nivel de aproximadamente 1 metro por encima de los oídos del oyente.

ATENCIÓN:

Al instalar el altavoz central sobre el TV, procure asegurarlo con algún medio que evite su posible caída.

De lo contrario, podría caer debido a sacudidas externas como temblores de tierra, provocando daños a las personas próximas o el propio altavoz.

Precauciones de instalación

- No instale el subwoofer en la pared o en el techo. Podría caerse y causar daños.
- Instale la unidad en un lugar bien ventilado en donde no quede expuesta a altas temperaturas ni alta humedad.
- No coloque la unidad cerca de estufas u otros equipos de calefacción ni en lugares expuestos a la luz directa del sol, ya que puede tener un efecto adverso sobre la caja y los componentes internos. No instale tampoco la unidad en donde haya mucho polvo o alta humedad, ya que pueden ocasionarse fallas de funcionamiento o averías. (Evite las cocinas y otros lugares en donde la unidad quede expuesta al calor, vapor y humedad.)
- No ponga objetos pesados ni grandes sobre el altavoz. De lo contrario podría ocasionar la caída del altavoz y sufrir daños materiales o heridas personales. Si los altavoces se caen de las posiciones en las que están instalados, pueden sufrir roturas irreparables en su acabado.
- Mantenga la unidad alejada de dispositivos tales como platinas de cassettes que son sensibles a los campos magnéticos.

El subwoofer no incorpora protección magnética y, por lo tanto, no se debe colocar cerca de un televisor o monitor. Tampoco se deben dejar cerca del subwoofer soportes de almacenamiento magnéticos tales como los disquetes, cassetes y cintas de vídeo.

- No ponga el altavoz sobre una superficie inestable, porque, de lo contrario, el altavoz podría caerse y causar daños materiales o heridas personales.
- No ponga tazas, vasos, ni otros tipos de recipientes con líquidos encima de las unidades, porque si se derramase el líquido podrían dañarse las unidades.
- El lugar de instalación seleccionado deberá tener una superficie del piso que sea dura. Deberá evitarse el montaje del altavoz sobre una alfombra de pelo largo, porque la alfombra podría tocar el diafragma del excitador, y causar distorsión del sonido.
- Instale esta unidad alejada del cable de la antena del sintonizador, ya que pueden ocasionarse ruidos con la instalación cercana al cable de antena. En tal caso, utilice esta unidad en una posición alejada de la antena y del cable de antena, o cuando la reproducción de sonidos graves extras no son requeridos, desconecte la alimentación de esta unidad.

MANTENIMIENTO DE LAS SUPERFICIES EXTERNAS:

- Limpie la superficie frotándola con un paño suave y seco.
- Cuando la superficie esté muy sucia, limpie con un paño humedecido en agente limpiador neutro diluido cinco o seis veces en agua, exprima bien, y luego vuelva a frotar con un paño seco. No utilice ceras o agentes limpiadores para muebles.
- No utilice diluyentes, bencinas, rociadores de insecticidas ni otros agentes químicos sobre ni cerca de esta unidad, ya que pueden correr las superficies.

SOLUCIÓN DE PROBLEMAS

Las operaciones incorrectas son a menudo confundidas por averías o fallas en el funcionamiento. Si piensa que algo está fallando con este componente, compruebe los puntos siguientes. Algunas veces el problema puede estar en otro componente. Revise los otros componentes y aparatos eléctricos que se están usando, si el problema no puede resolverse aun luego de realizar las comprobaciones listadas a continuación, solicite a su concesionario o centro de servicio autorizado PIONEER para que lleve a cabo el trabajo de reparación.

Síntoma	Causa	Solución
1 No hay suministro de alimentación (el indicador no se ilumina cuando se conecta el interruptor de alimentación.)	• El enchufe de suministro de energía no está correctamente insertado.	• Inserte correctamente el enchufe.
2 No hay sonido (indicador iluminado)	• La conexión del cable con clavija RCA es incorrecta o está desconectado. • La perilla VOLUME está fijada en MIN .	• Compruebe de nuevo y conecte correctamente. • Gire hacia la derecha lentamente.
3 Sonido distorsionado.	• El nivel está muy alto. • El nivel de entrada está muy alto.	• Gire la perilla VOLUME hacia la izquierda para disminuir el nivel. • Gire el nivel de salida del amplificador (volumen, control de graves, refuerzo de graves) hacia la izquierda para disminuir el nivel.
4 Se produce sonidos de alta frecuencia.	• No se suministra alimentación al amplificador. • El nivel de altavoz de subgraves está ajustado demasiado alto.	• Conecte un amplificador y conecte la alimentación. • Coloque el altavoz de subgraves a una buena distancia de los altavoces. Gire la perilla VOLUME hacia la izquierda para disminuir el volumen.
5 Demasiado ruido cuando se escucha emisiones de AM o FM.	• La antena de cuadro de AM o la antena interior de FM está muy cerca de la unidad.	• Aumente la distancia entre la antena de AM o FM (para uso interior) y esta unidad.

ESPECIFICACIONES

Caja acústica Reflejo de graves, tipo de colocación vertical en el suelo
 Altavoz Tipo cono de 30 cm
 Salida de potencia continua (eficaz) del amplificador de potencia
 Taiwán 150 W/6 Ω (100 Hz)
 Todos los otros modelos 200 W/6 Ω (100 Hz)
 Entrada (sensibilidad en 100 Hz/impedancia)
 Nivel de línea (LINE LEVEL) (toma RCA) 175 mV/50 kΩ
 Salida (nivel a 100 Hz/impedancia)
 Nivel de línea (LINE LEVEL) (toma RCA) 175 mV/1 kΩ
 Frecuencias de cruce (CROSSOVER) seleccionables 50 Hz a 200 Hz
 Dimensiones exteriores 360 mm (An) x 437 mm (Al) x 455 mm (Pr)
 Peso (sin embalaje) 15,2 kg
 Alimentación
 Taiwán, México, Latinoamérica central 110 V a 127 V~, 50 Hz/60 Hz
 Todos los otros modelos 220 V a 240 V~, 50 Hz/60 Hz
 Consumo de energía
 Taiwán, México, Latinoamérica central 155 W
 Todos los otros modelos 184 W

Accesorios

Cable de alimentación: Taiwán, México, Latinoamérica central x 2
 Todos los otros modelos x 1
 Cable de clavija RCA x 1
 Manual de instrucciones

Las especificaciones y diseño están sujetos a posibles cambios sin previo aviso, debido a mejoras en el producto.

Publicado por Pioneer Corporation.
 Copyright © 2008 Pioneer Corporation.
 Todos los derechos reservados.

PIONEER CORPORATION

4-1, Meguro 1-Chome, Meguro-ku, Tokyo 153-8654, Japan
PIONEER ELECTRONICS (USA) INC.
 P.O. BOX 1540, Long Beach, California 90801-1540, U.S.A. TEL: (800) 421-1404
PIONEER ELECTRONICS OF CANADA, INC.
 300 Allstate Parkway, Markham, Ontario L3R 0P2, Canada TEL: 1-877-283-5901, 905-479-4411
PIONEER EUROPE NV
 Haven 1087, Keetberglaan 1, B-9120 Melsele, Belgium TEL: 03/570.05.11
PIONEER ELECTRONICS ASIACENTRE PTE. LTD.
 253 Alexandra Road, #04-01, Singapore 159936 TEL: 65-6472-7555
PIONEER ELECTRONICS AUSTRALIA PTY. LTD.
 178-184 Boundary Road, Braeside, Victoria 3195, Australia. TEL: (03) 9586-6300
PIONEER ELECTRONICS DE MEXICO S.A. DE C.V.
 Blvd. Manuel Avila Camacho 138 10 piso Col.Lomas de Chapultepec, Mexico,D.F. 11000 TEL: 55-9178-4270
 K002_B_En